

## INSTALLATION INSTRUCTIONS



### IMPORTANT INFORMATION

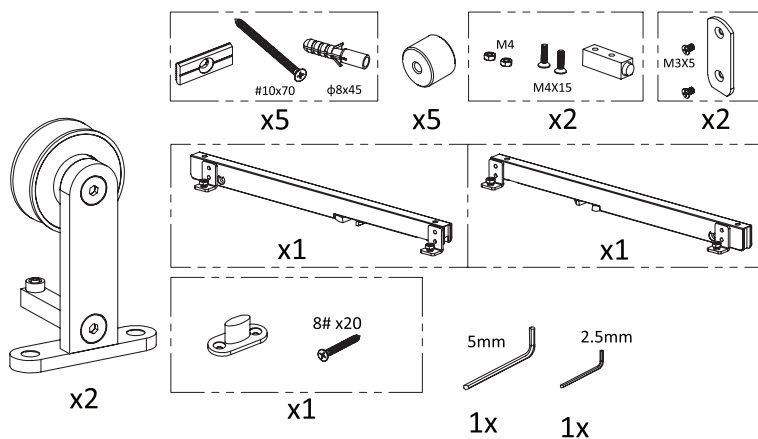
To prepare for the installation of your Attica Face of Wall Hardware, read these instructions.

- Doors suited to internal applications only.
- Kits cater for single door installation only.
- 2 kits are required for double door installations.
- Maximum door weight 80kg.
- Follow these instructions to ensure safe operation of this product post installation.

These instructions should be read in conjunction with any applicable product installation instructions and the Door Care and Maintenance Guide

### ITEMS REQUIRED

- 1 x Track Bar (2200mm W x 40mm H x 6mm D)
- 2 x Track Rollers
- 2 x Anti-Jump Pins (attached to Rollers)
- 5 x Rest Plates & fixings
- 5 x Wall Spacers
- 2 x Door Stops & fixings
- 2 x Track End Covers & fixings
- 2 x Soft Closer/Opener
- 1 x Floor Mounted Guide
- 1 x 5mm Allen Key
- 1 x 2.5mm Allen Key
- Timber & Masonry fixings



## INSTALLATION INSTRUCTIONS

### DOOR GUIDE OPTIONS

- The Face of Wall hardware kit includes a Floor Mounted Guide as standard.
- A Wall Mounted Guide is available for hard floors such as tile, concrete, stone or marble. This is sold separately.
- To accommodate the floor guide, doors will require a groove in the bottom rail measuring 15mm H x 7mm W.



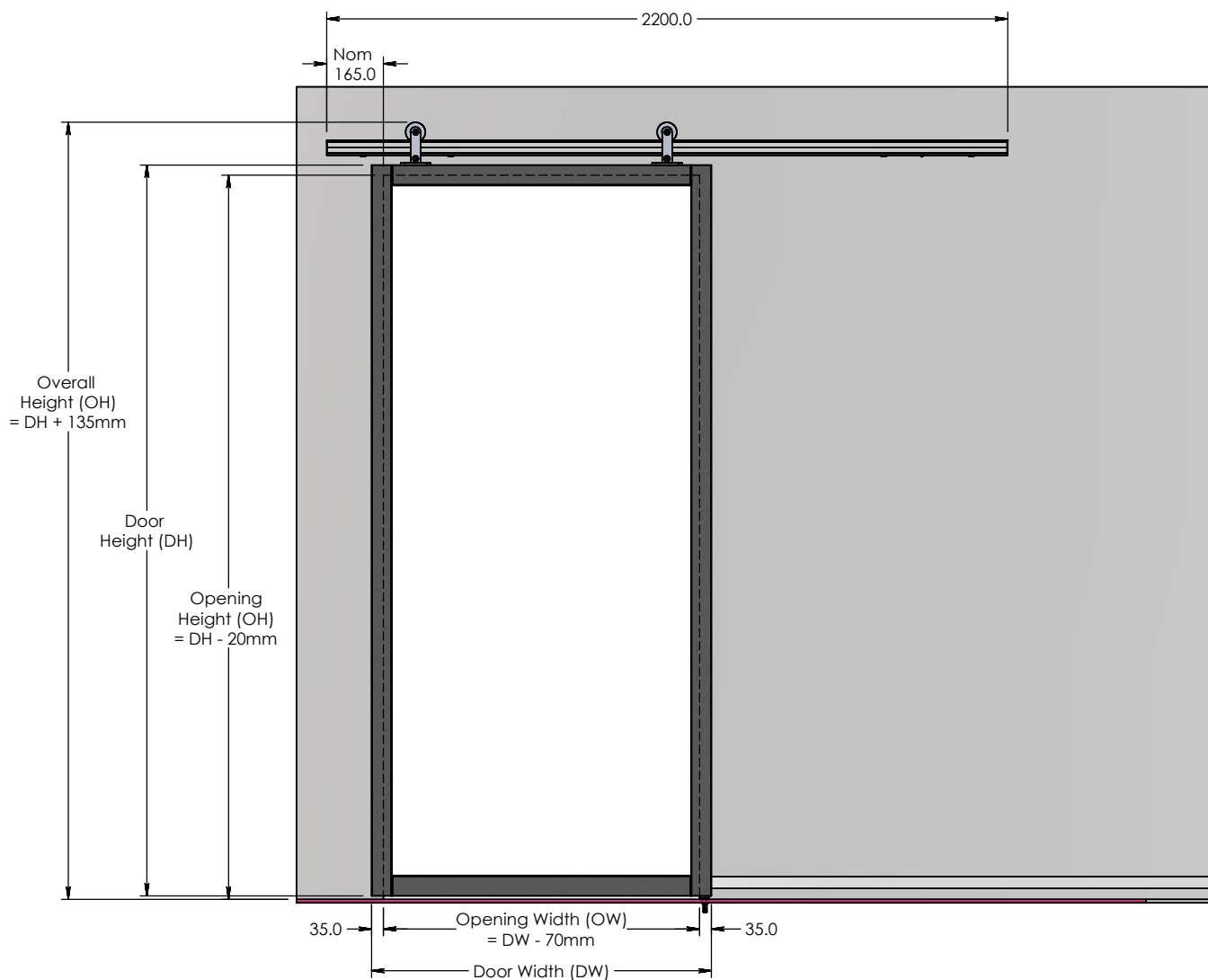
Floor Mounted Guide  
Standard kit inclusion



Wall Mounted Guide  
Sold separately

### DIMENSIONAL DETAIL

- Care must be taken to consider the ceiling cornice when planning the installation of the Face of Wall solution.



## INSTALLATION INSTRUCTIONS

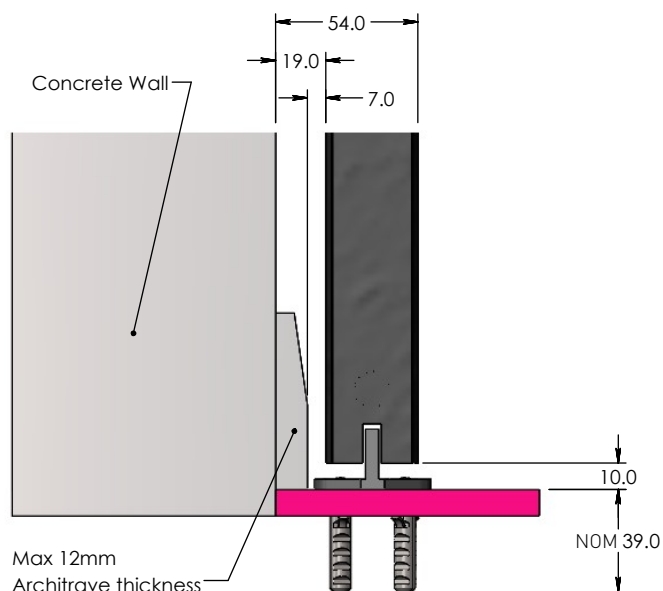
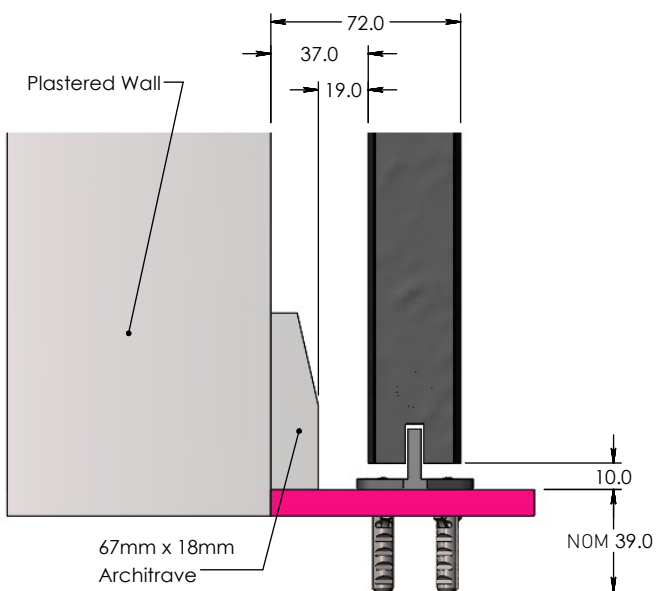
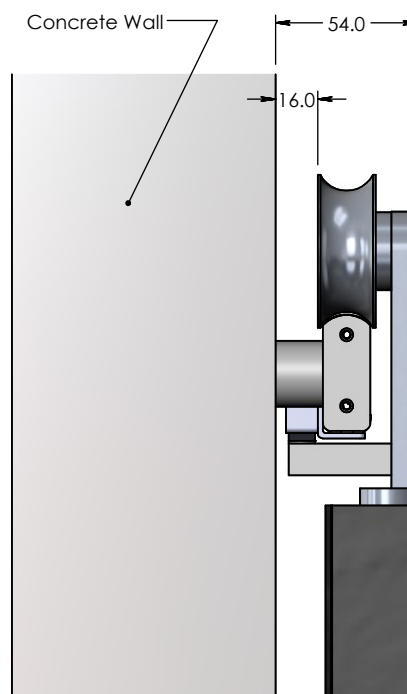
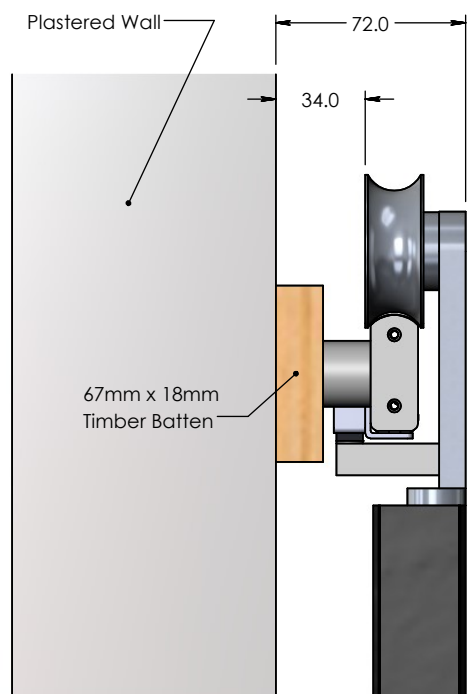
### FIXING REQUIREMENTS

#### PLASTER WALL FIXING

- Where a timber stud cannot be located, a timber batten is used on plaster walls to provide sufficient surface strength to support the weight of track and door without compromising the wall surface.
- A timber batten is also used to provide support that aligns with the wall fixing points in the track (i.e. a plaster wall with timber frame not in alignment with the track fixing positions).

#### CONCRETE OR MASONRY WALL FIXING

- Concrete or Masonry Wall structures require that all fixing points are securely anchored and can adequately support the weight of track and door without compromising the wall surface.



## INSTALLATION INSTRUCTIONS

### STEP 1

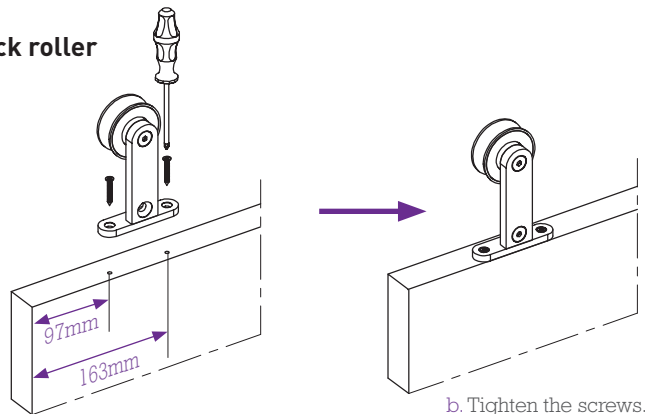
#### Remove the anti-jump pin



### STEP 2

#### Installation of track roller

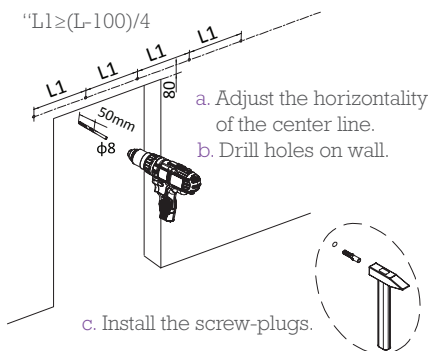
a. Install the track roller as shown.



### STEP 3

#### Drilling holes on the wall

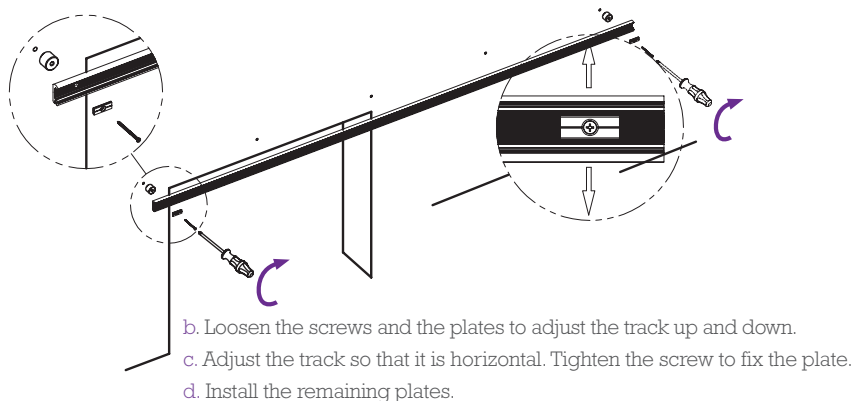
$L1 \geq (L-100)/4$



### STEP 4

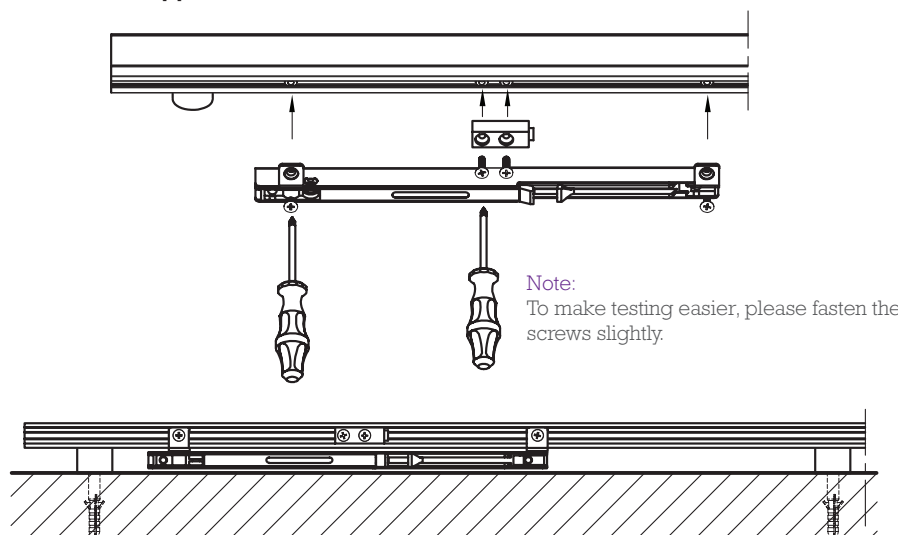
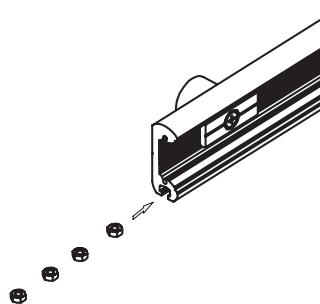
#### Installation of the track

a. Fix the two ends of the track first.



### STEP 5

#### Pre-install the soft-close dampers and door stoppers

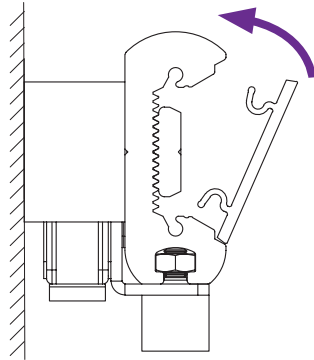


## INSTALLATION INSTRUCTIONS

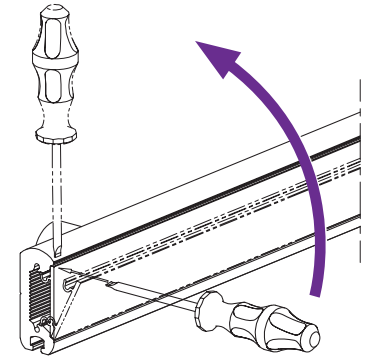
### STEP 6

#### Installation and disassembling of the track cover

**Installation:**  
Install the cover from the bottom, then press the top into the track.

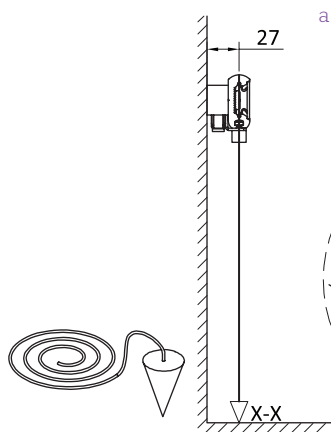


**Disassembling:**  
Use a thin sheet or something similar to pry out the cover.



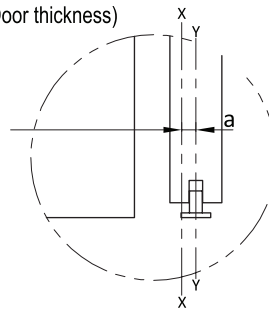
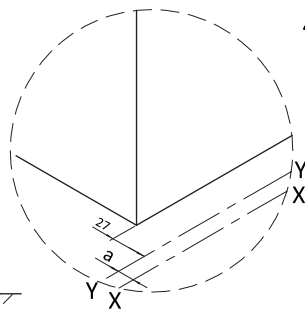
### STEP 7

#### Installation of the door guide

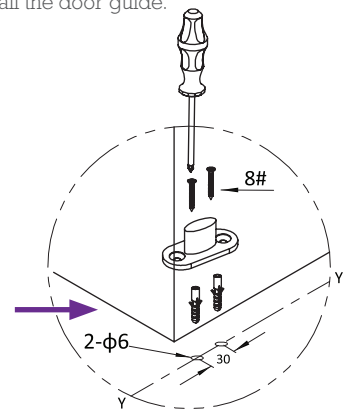


a. Confirm the position of the door guide.

9.5 (35 Door thickness)  
7 (40 Door thickness)  
4.5 (45 Door thickness)

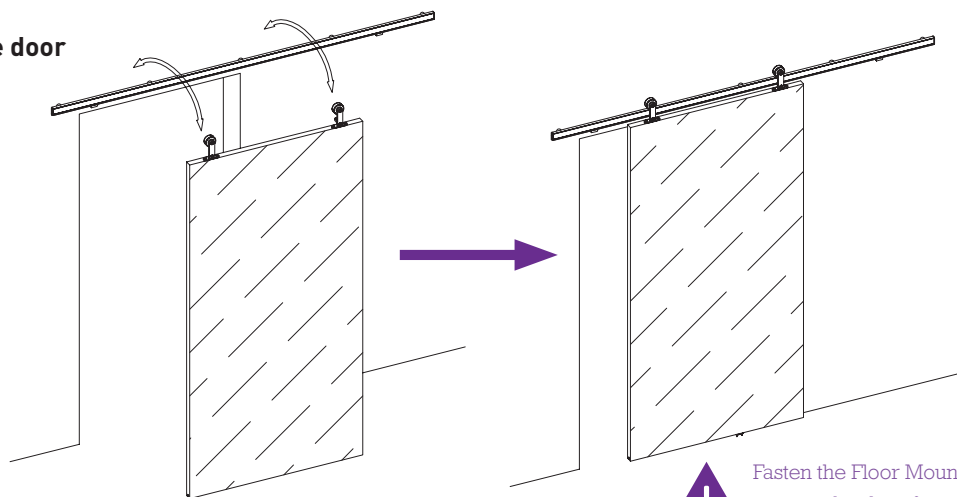


b. Install the door guide.



### STEP 8

#### Installation of the door



Hang the door on the track.

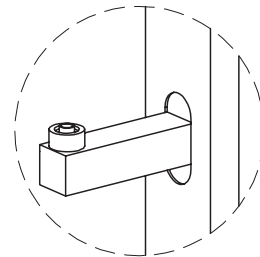
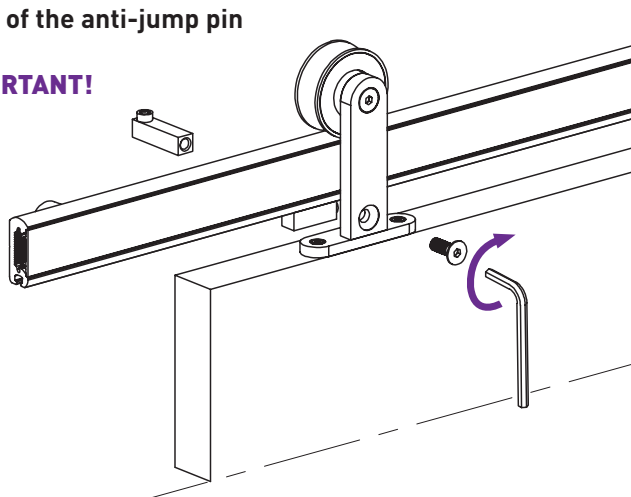


Fasten the Floor Mounted Guide to prevent the door from coming off the track during operation.

## INSTALLATION INSTRUCTIONS

### STEP 9

#### Installation of the anti-jump pin

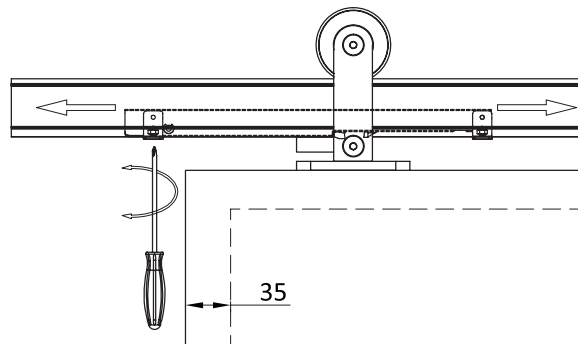


Note: The anti-jump pin must be installed inside the groove.

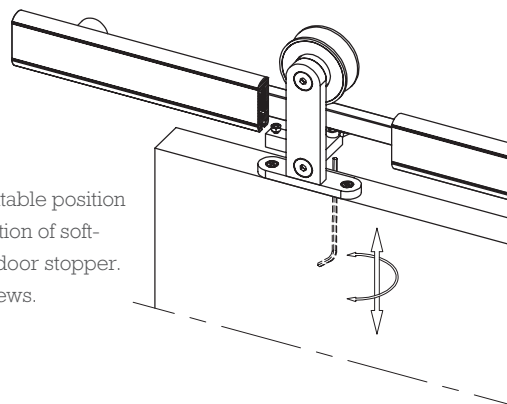
### STEP 10

#### Testing the system

- a. Slightly loosen the set screws of the close damper and door stopper.  
(Take care not to loosen fully, as the accessories may fall out)



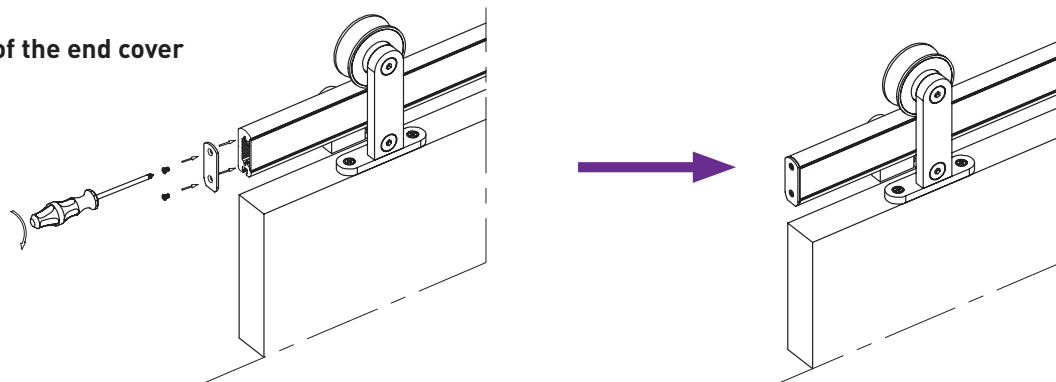
- b. Close the door to suitable position and confirm the position of soft-close damper and door stopper. Fasten them with screws.



- c. Adjust the cooperation between anti-jump pin and soft-close damper.

### STEP 11

#### Installation of the end cover



FAILURE TO ADHERE TO INSTALLATION INSTRUCTIONS WILL VOID WARRANTY.  
For full Terms and Condition of Warranty visit [www.corinthian.com.au/about/warranty](http://www.corinthian.com.au/about/warranty)

Corinthian Industries (Australia) Pty Limited is a subsidiary of JELD-WEN Australia Pty Limited. Whilst the utmost care is taken to ensure the accuracy of the information contained herein, it is provided in the understanding that the company shall under no circumstances be liable for any injuries, expenses or other losses which may in any way be attributable to the use or adoption of such data and/or design details. All dimensions indicated are nominal only. Corinthian Doors reserves the right to alter or amend without prior notice data and design details specified herein. Photographs or illustrations may not exactly depict the design or specification and may vary to actual. Doors and products are supplied unfinished unless otherwise specified. [www.corinthian.com.au](http://www.corinthian.com.au) JELD0448 FEB 22.